

EXPERIMENT – 1

Aim: Draw electrical and electronics symbols using CAD software

Objective:











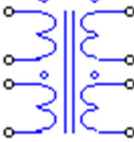

After completing this experiment, you will be able to:


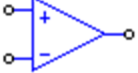






- Know the different electrical symbol
- Draw the different electrical symbol using AutoCAD
- Know the Computer Aided Drawing (CAD) software

Apparatus:

1. Computer System with AutoCAD software

Exercise:

Sr. No.	Name of Symbol	Symbol
1	ELECTRICAL WIRE	
2	EARTH (GROUND)	
3	RESISTOR	
4	INDUCTOR	
5	CAPACITOR	
6	DIODE	
7	VOLTMETER	
8	AMMETER	
9	AC VOLTAGE SOURCE	
10	DC VOLTAGE SOURCE	
11	TRANSFORMER	
12	TRANSISTOR (NPN)	

13	THYRISTOR	
14	COMPARATOR	
15	AND GATE	
16	OR GATE	
17	NOT GATE	
18	NAND GATE	
19	NOR GATE	
20	EX-OR GATE	

Questions:

1. Why we use AutoCAD?

2. State Different Menus of AutoCAD.

3. Write the use of command window.

4. Write the procedure to draw diode symbol.
