

EXPERIMENT – 2

Aim: Draw D.C. and A.C. Machine parts using CAD software

Objective:

After completing this experiment, you will be able to:

- Know the different machine parts
- Draw the different machine parts using AutoCAD
- Know the Computer Aided Drawing (CAD) software

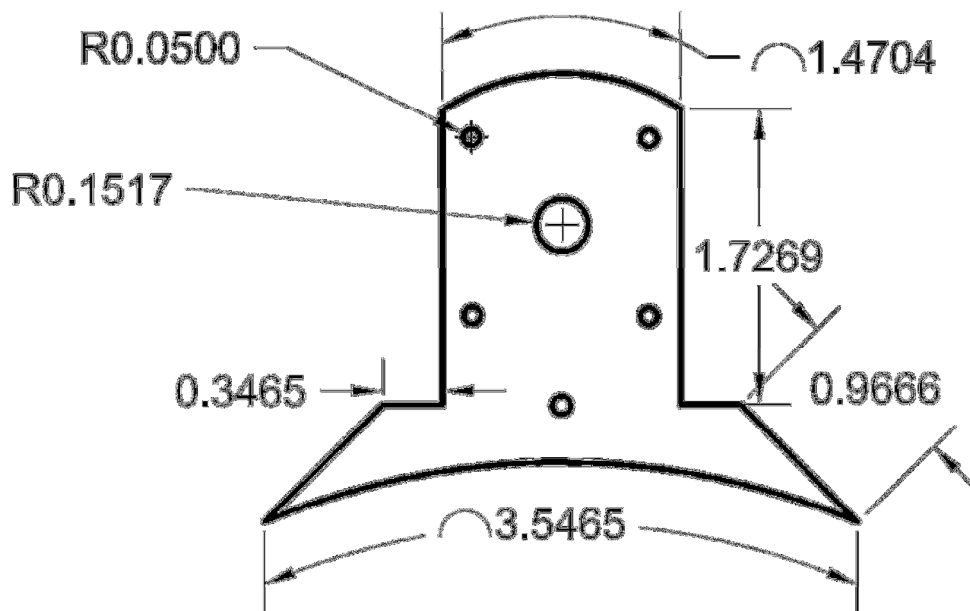
Apparatus:

1. Computer System with AutoCAD software

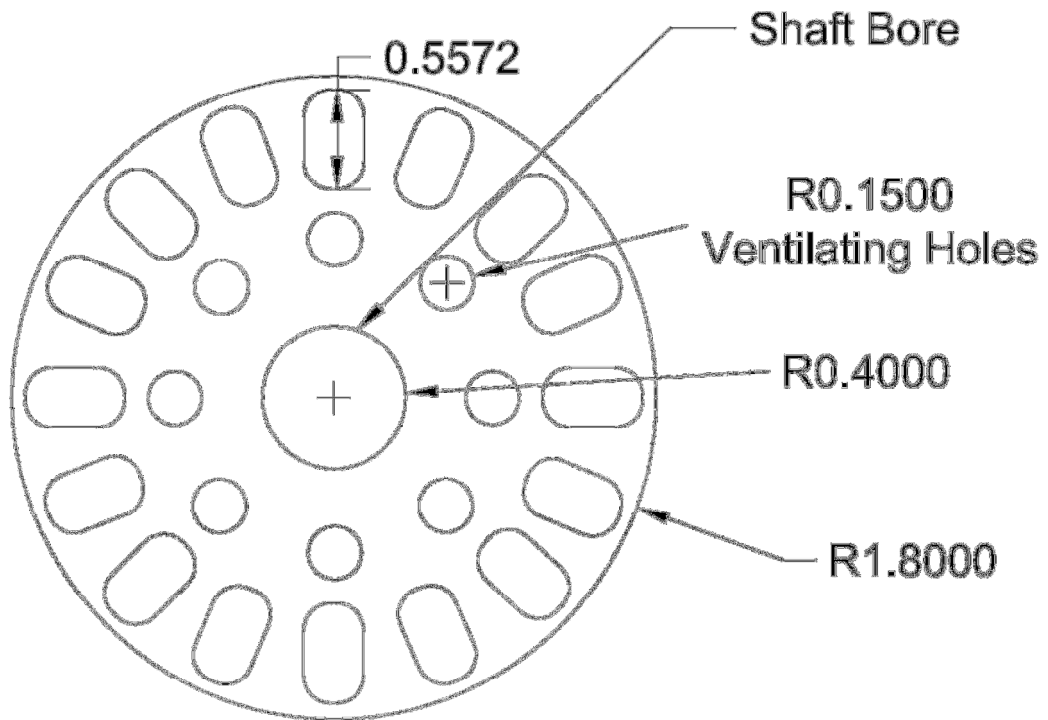
Exercise:

Draw the following sketches using AutoCAD:

1. D. C. Machine Pole Elevation



2. Rotor Lamination of Induction Motor



Questions:

1. Write the procedure to draw D. C. Machine Pole Elevation.
